

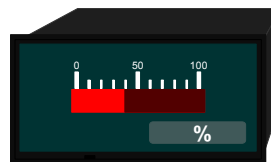
Bargraph vertical or horizontal

BVO1, BHO1

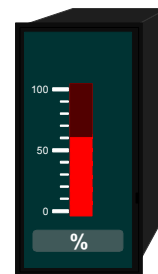
- Without setpoints

Bargraph

- Direct voltage
- Direct current



BHO1



BVO1

• Direct voltage, direct current

①	②	③	④	⑤
50 V	0/4-20 mA	0 V	-	+
Signal inputs (DC)				24 VDC

Power supply 24 VDC
galv. insulated

ORDER NUMBER OF TYPE
(without options)

vertical **BVO 1.001.776B**
horizontal **BHO 1.001.776B**

(Transmitter connections see last page)

OPTIONS

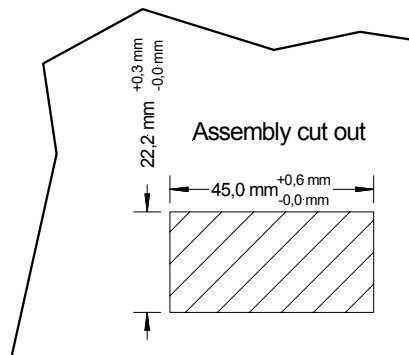
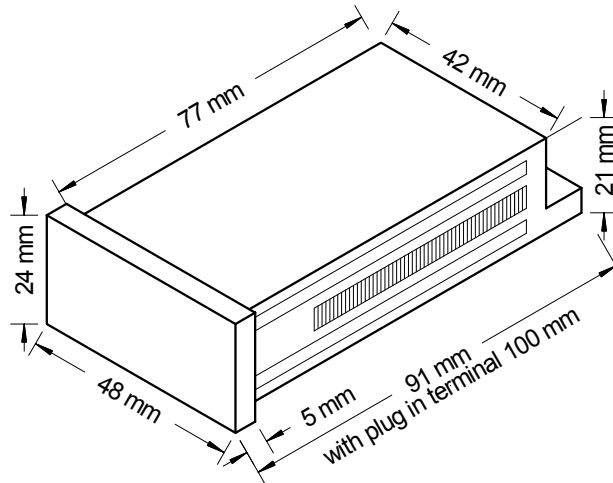
	BVO, BHO... Direct voltage...	Additional price
		EUR
LED green	x	12,80
Protection IP54 at the front	x	6,15
Protection IP65 at the front	x	28,10
Other measuring inputs on demand	x	
Other power supplies on demand	x	
Dimension label selectable	x	

Technical data

Dimensions	Housing	48 x 24 x 100 mm, including plug in terminal
	Assembly cut out	45.0 ^{+0.6} x 22.2 ^{+0.3} mm
	Fastening	special quick plastic clamp proper to fix in wall thickness up to 50 mm
	Housing material	PC/ABS-blend, colour black, UL94V-0
	Protection	at the front IP40 connection IP00
	Weight	approx. 60 g
	Connection	At the rear side via terminals up to 1,5 mm ²
Input	Measuring range	0...50 V (U _{min} = 5 V, U _{max} = 60 V); 0/4...20 mA (I _{min} = 8 mA, I _{max} = 25 mA)
	Input resistance	All ranges selectable via connection terminal / offset adjustment supported by offset potentiometer R _i with 50 V = 100 KΩ 20 mA = 100 Ω
Accuracy	Resolution	10 digit
	Measuring fault	+/- 1 digit
	Temp. drift	100 ppm/K
Power unit	Supply voltage	24 VDC +/-10% galv. insulated
	Power consumption	approx. 1,5 VA
Display	Display	bargraph indication 10 digit red / optionally green
Ambient conditions	Working temperature	0 up to + 60 °C
	Storing temperature	-20 up to + 80 °C

Technical data

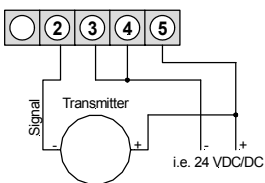
Housing:



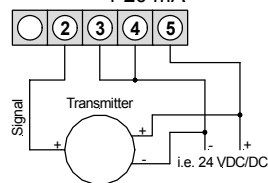
Connection diagrams

BVO, BHO...

2-wire: 4-20 mA



3-wire: 0-20 mA
4-20 mA



3-wire: 0-10 V/0-5 V
1-6 V

